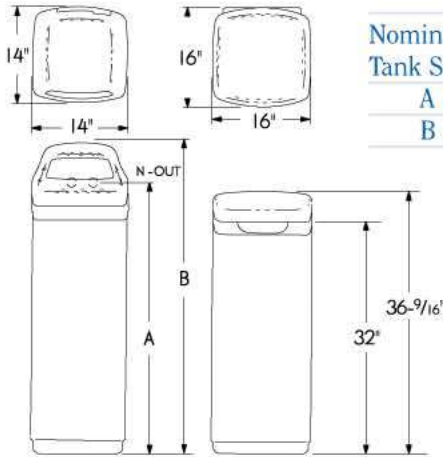


ECR 3502

DIMENSIONS



	ECR 3502R30	ECR 3502R40	ECR 3502R70
Nominal Resin Tank Size	10" Dia. x 35"	10" Dia. x 47"	12" Dia. x 54"
A	39.5"	51.3"	57.1"
B	44.8"	56.6"	62.2"



SPECIFICATIONS

	ECR 3502R30	ECR 3502R40	ECR 3502R70
Efficiency (gr./lb. @ min. lb. salt dose)	5160 @ 1.6	5150 @ 2.2	5310 @ 6.2
Hardness Capacity (gr. @ max. lb. salt dose)	30,200 @ 11.3	40,100 @ 14.8	71,500 @ 19.3
Certified Flow Rate (gpm @ psi)	11 @ 8	12 @ 13	12 @ 11
Intermittent Flow Rate (gpm @ psi) ¹	16.5 @ 15	13.6 @ 15	17.0 @ 15
Intermittent Flow Rate (gpm @ psi) ¹	25.8 @ 30	21.6 @ 30	22.0 @ 30
Patented Resin Bed #5464532 (lbs.)	47	63	109
Quartz Gravel Base (lbs.)	10	10	12
Maximum Recommended Water Hardness (gpg @ 500 gpd water usage)	60	75	125
Maximum Clear Water Iron (ppm-Fe) ²	12	15	15
Average Water Used Each Regeneration (gal.) ³	36	51	104
Salt Storage Capacity (lbs.)	300	300	300
Supply Water Pressure Limits (psi) ⁴	20 – 125	20 – 125	20 – 125
Supply Water Temperature Limits (°F)	40 – 120	40 – 120	40 – 120
Ambient Temperature Range (°F)	35 – 150	35 – 150	35 – 150
Plumbing Connection Provided (inches)	1 to 1½	1 to 1½	1 to 1½
Electrical Rating (transformer provided)	24V-50/60Hz	24V-50/60Hz	24V-50/60Hz

¹Intermittent flow rate does not represent the maximum service flow rate used for determining the softener's rated capacity and efficiency. Continuous operation at flow rates greater than the certified flow rate may affect capacity and efficiency performance.

²Increased amounts of clear water iron can reduce softeners efficiency. Refer to owner's manual for details. Wisconsin requires additional treatment if water supply contains greater than 5 ppm clear water iron.

³When operated at 35 psi water pressure

⁴Maximum pressure for Canadian use is 7.0 Kg/cm²

ECOWATER
SYSTEMS



SINCE 1925.



EcoWater Systems LLC
P.O. Box 64420
St. Paul, MN 55164-0420
www.ecowater.com

EcoWater Systems Ltd.
#1 Independent Bus. Pk. Mill Rd.
Stokenchurch, Bucks
United Kingdom HP14 3TP

EcoWater Canada Ltd.
5240 Bradco Blvd.
Mississauga, Ontario
Canada L4W 1G7

EcoWater Systems Europe N.V.
Geelseweg 56
2250 Olen
Belgium



A member of The Marron Group of companies

0602880 (Rev. A) 01/07

Printed in the U.S.A.

© 2007 EcoWater Systems LLC

ECOWATER.COM