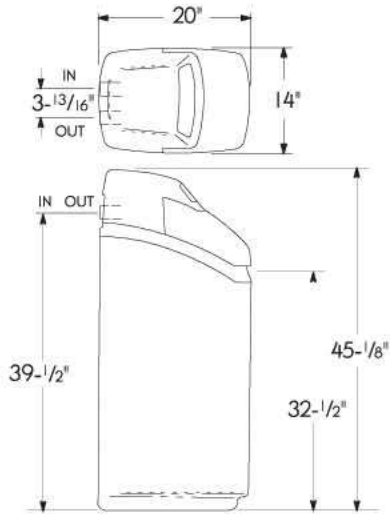


# ECR 3500

## DIMENSIONS



	ECR 3500R20	ECR 3500R30
Nominal Resin Tank Size	8" Dia. x 35"	10" Dia. x 35"



## SPECIFICATIONS

	ECR 3500R20	ECR 3500R30
Efficiency (gr./lb. @ min. lb. salt dose)	5,150 @ 1.1	5,160 @ 1.6
Hardness Capacity (gr. @ max. lb. salt dose)	20,400 @ 7.5	30,200 @ 11.3
Certified Flow Rate (gpm @ psi)	9 @ 10	11 @ 8
Intermittent Flow Rate (gpm @ psi) <sup>1</sup>	12.0 @ 15	16.5 @ 15
Intermittent Flow Rate (gpm @ psi) <sup>1</sup>	19.4 @ 30	25.8 @ 30
Patented Resin Bed #5464532 (lbs.)	32	47
Quartz Gravel Base (lbs.)	8	10
Maximum Recommended Water Hardness (gpg @ 500 gpd water usage)	40	60
Maximum Clear Water Iron (ppm-Fe) <sup>2</sup>	10	12
Average Water Used Each Regeneration (gal.) <sup>3</sup>	29	36
Salt Storage Capacity (lbs.)	225	200
Supply Water Pressure Limits (psi) <sup>4</sup>	20 – 125	20 – 125
Supply Water Temperature Limits (°F)	40 – 120	40 – 120
Ambient Temperature Range (°F)	35 – 150	35 – 150
Plumbing Connection Provided (inches)	1 to 1 1/2	1 to 1 1/2
Electrical Rating (transformer provided)	24V-50/60Hz	24V-50/60Hz

<sup>1</sup>Intermittent flow rate does not represent the maximum service flow rate used for determining the softener's rated capacity and efficiency. Continuous operation at flow rates greater than the certified flow rate may affect capacity and efficiency performance. The validity of these flow rates is verified by NSF.

<sup>2</sup>Increased amounts of clear water iron can reduce softeners efficiency. Refer to owner's manual for details. Wisconsin requires additional treatment if water supply contains greater than 5 ppm clear water iron.

<sup>3</sup>When operated at 35 psi water pressure

<sup>4</sup>Maximum pressure for Canadian use is 7.0 Kg/cm<sup>2</sup>



Powered by an ENERGY STAR® qualified adapter for a better environment



EcoWater Systems LLC  
P.O. Box 64420  
St. Paul, MN 55164-0420  
www.ecowater.com

EcoWater Systems Ltd.  
#1 Independent Bus. Pk. Mill Rd.  
Stokenchurch, Bucks  
United Kingdom HP14 3TP

EcoWater Canada Ltd.  
5240 Bradco Blvd.  
Mississauga, Ontario  
Canada L4W 1G7

EcoWater Systems Europe N.V.  
Geelseweg 56  
2250 Olen  
Belgium

A member of The Marmon Group of companies

0602879 (Rev. A) 01/07

Printed in the U.S.A.

© 2007 EcoWater Systems LLC

ECOWATER.COM