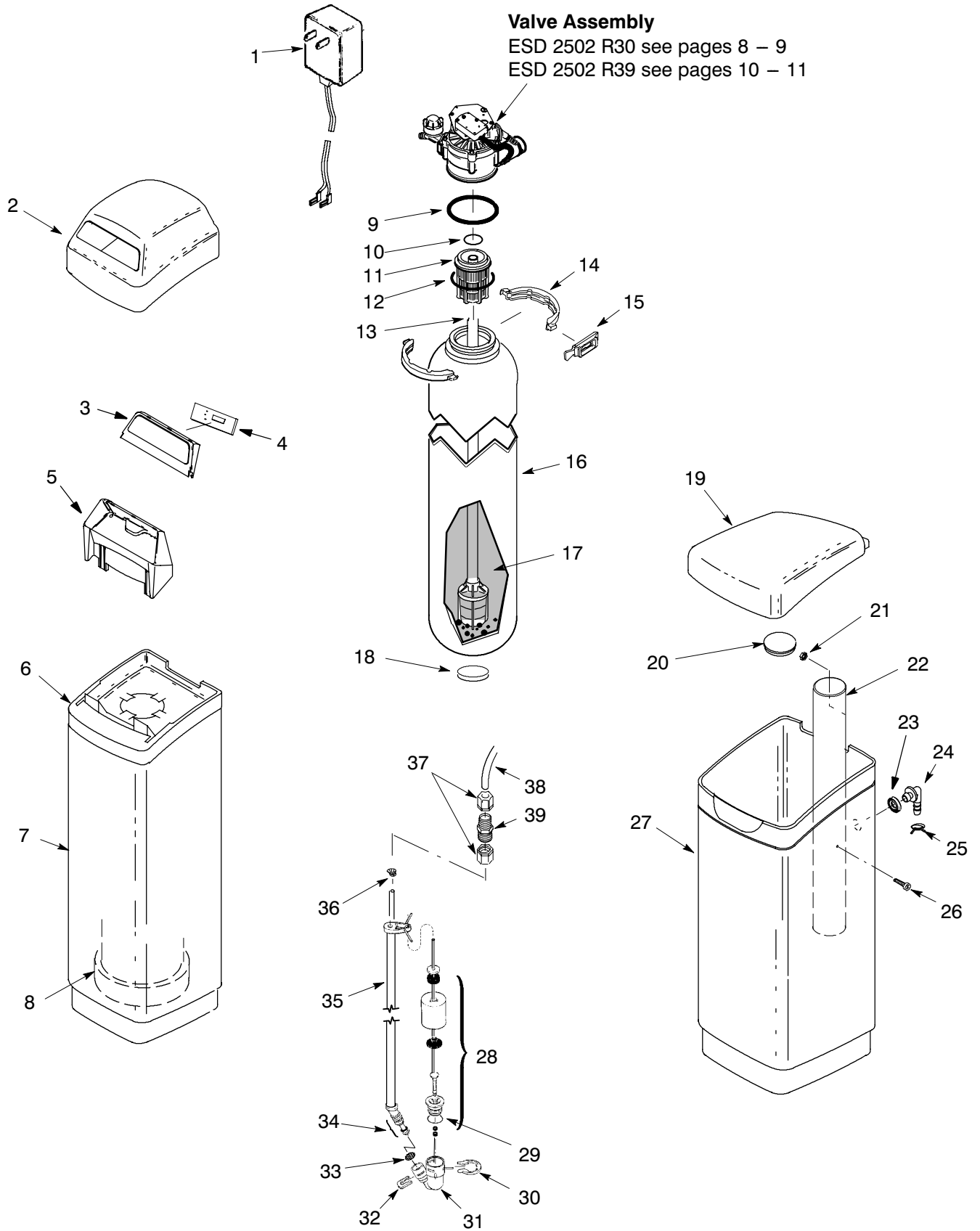


Models ESD 2502 R30 & ESD 2502 R39



Valve Assembly

ESD 2502 R30 see pages 8 – 9

ESD 2502 R39 see pages 10 – 11